



HEAVY DUTY FLAT RAIL CARS

Available Now

Up to three heavy duty privately marked flat rail cars are now available for short or long-term lease. These 235 ton 60' straight flat deck cars are ideal for handling a wide variety of cargo.

See reverse for car specifications.

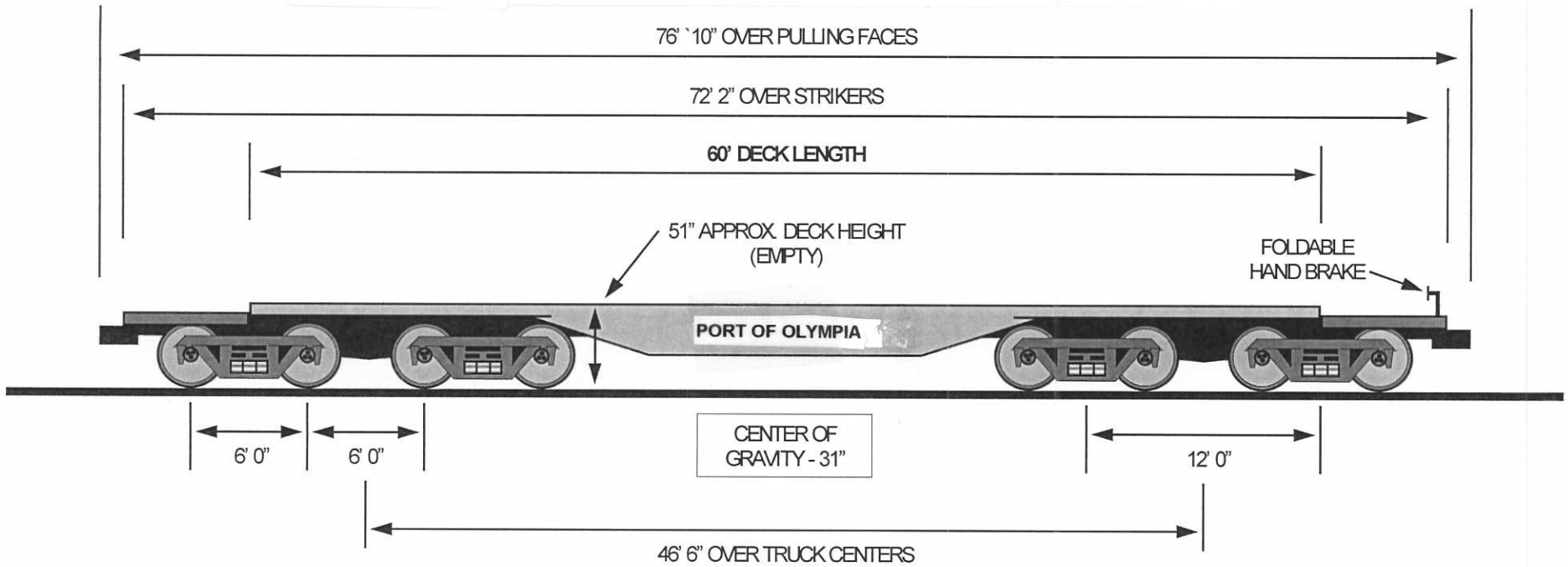
For More Information

Kim Kawada

KimK@portolympia.com

360.528.8033 x3

PORT OF OLYMPIA FLATCARS



LENGTH OF LADING (ft)	LOAD LIMITS (lbs)	CAR NUMBERS	LOAD LIMITS (lbs)	LIGHT WEIGHTS (lbs)	MAXIMUM GROSS (lbs)	SPRING TRAVEL (in)	DECK LENGTH (ft-in)	DECK HEIGHT (ft-in)	JOURNAL SIZE BEARING TYPE			
0	379,000	OLYX60950 OLYX60951 OLYX60956 OLYX60956	474,000	160,000	630,000	3 11/16"	60' 0"	4' 3"	7" X 12" ROLLER			
4	396,000					WHEEL DIAMETER (in)	DECK WIDTH (ft-in)	DRAFT GEAR				
8	415,500					38"	10' 8"	15" EOC				
12	435,000											
16	458,000											
18 & OVER	474,000											

235 Ton - 60' Straight Flat Deck Car

GENERAL NOTES:

75% of load limit must be concentrated at a maximum distance of 4' 4" from centerline of car.